

IM400RCX

IMAX XENON SEARCHLIGHTS

Xenon lamps provide a type of light with very high 'colour temperature'. This means that these lamps feature a continuous spectrum which closely approximates daylight in the visible spectrum and infrared range, making them superior to be used in searchlights for spotting ice and other potential hazards.

The very high technical quality of the light is closely linked to the quality of the IMAX Xenon searchlights.

The design of IMAX Searchlights is based on many years of experience and extensive research in the field of Marine Lighting

Apart from using the latest design in light technology, IMAX maintains her well known high quality standard of the hardware:

- well protected non-corrosive materials
- top quality optics
- heat resistant tempered front-glass
- low maintenance and a long durable life

IMAX LIGHTENS YOUR WORK.



IMAX Searchlights:

- *SUPERB OPTICS*
- *POWERFUL LONGRANGE BEAM*
- *ELECTRICAL REMOTE CONTROL*
- *NON CORROSIVE MATERIALS*
- *LOW MAINTENANCE*
- *DURABILITY*

FEATURES:

- Very powerfull concentrated beam
- Colour temperature near to daylight
- Immediate full brilliance and hot re-strike
- Pan movement full 360°
- Tilt movement +30° to -30°
- Operating temperature to -40°
- Protection class IP54, PSU: IP20

SPECIFICATIONS:

- High voltage ignitor in separate isolated compartment
- Standby Heater
- White epoxy powder coating with black rim (other colors to order)
- Supply voltage 220/230V - 50/60Hz-1ph

MATERIALS:

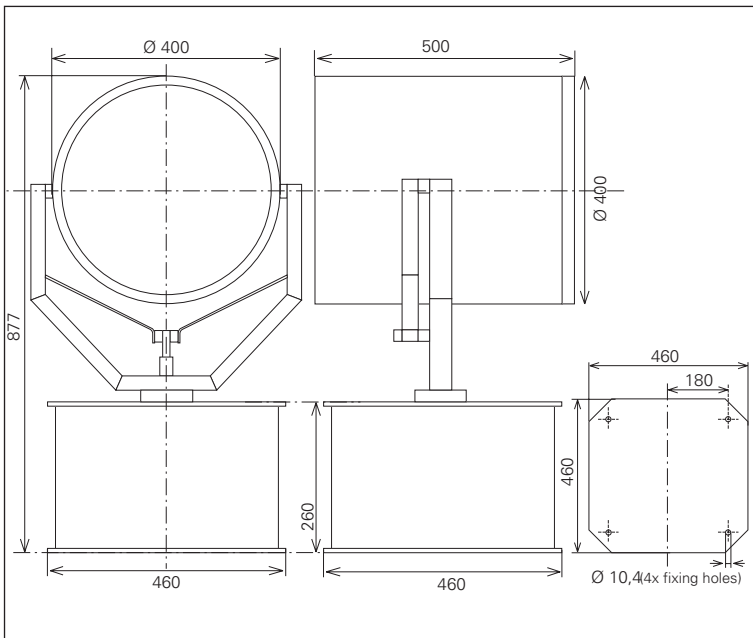
- Stainless steel and seawater resistant aluminium glass parabolic mirror reflector
- Toughened frontglass
- Silicon rubber gaskets

ALSO AVAILABLE:

- Underdeck manual control
- Direct manual control

DIMENSIONS

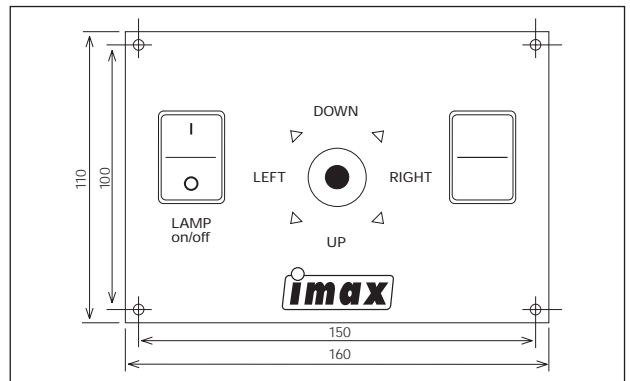
all dimensions in mm.



POWER SUPPLY UNIT:

Compact expressly designed to feed 1000W vertical or horizontal Short Arc Xenon lamps.

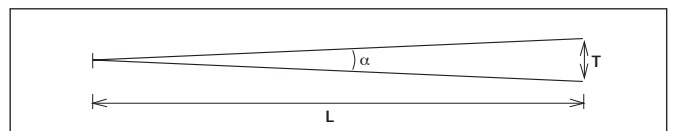
- Weight : 56 kg
- Dimensions : 595 x 245 x 210 mms



SPECIFICATIONS

Model	Voltage	Watts	PBCP (measured) Lum x 1000	Range in meters (L)	Divergence (α/2)	Illuminated Area at target/1 lux (T)
IM400RCX	220/230	1000	45 x 10 ⁶	6700	1,5°Ø	180 m

Model	Weight
IM400RCX	55 kg



your supplier:

